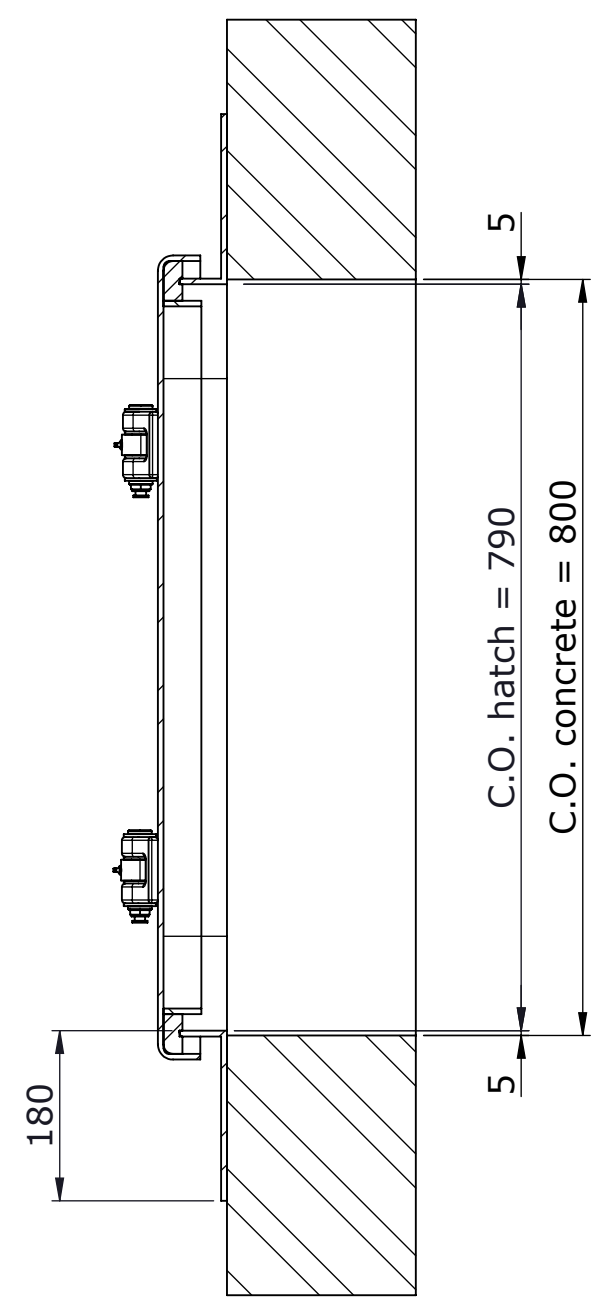
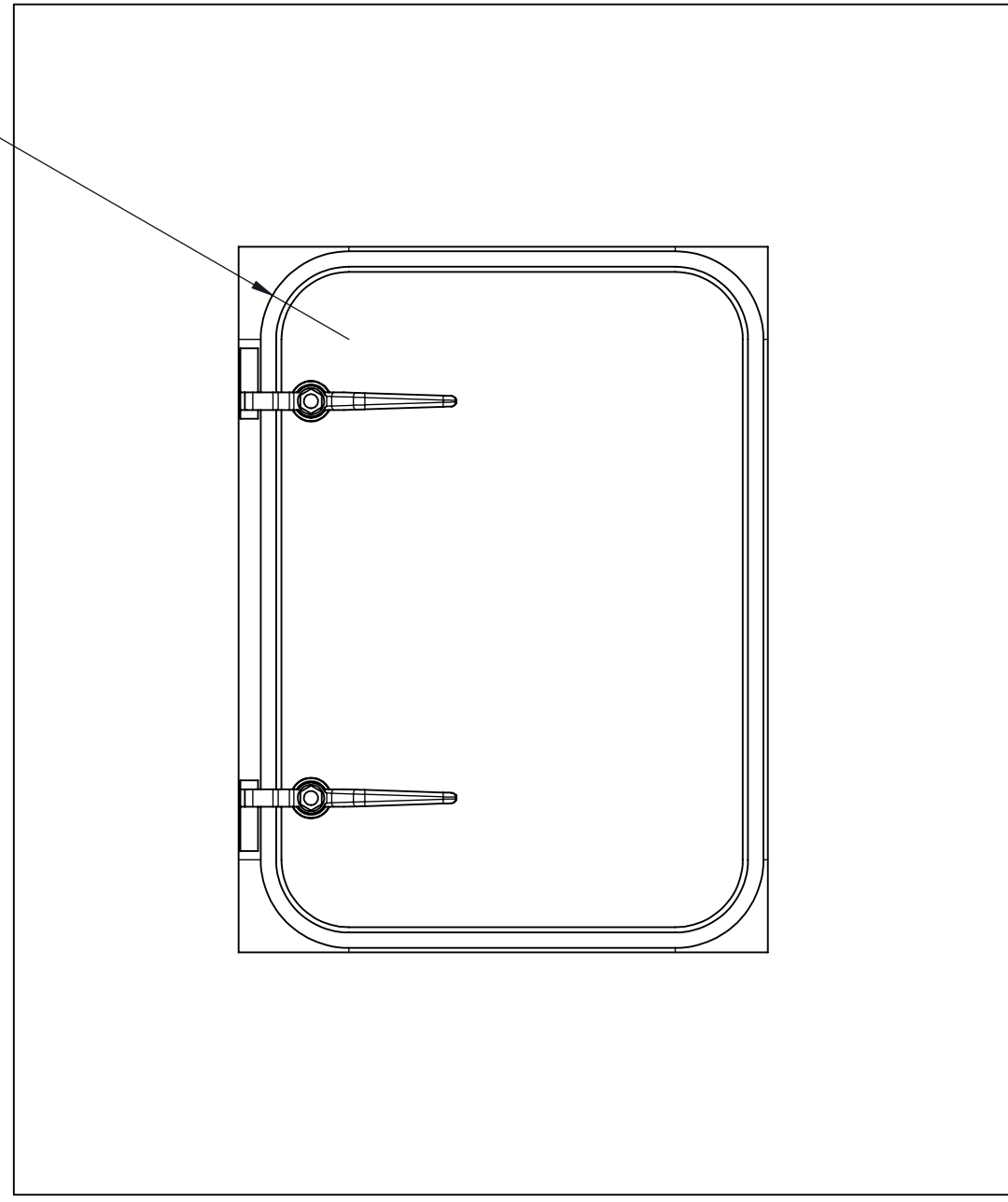


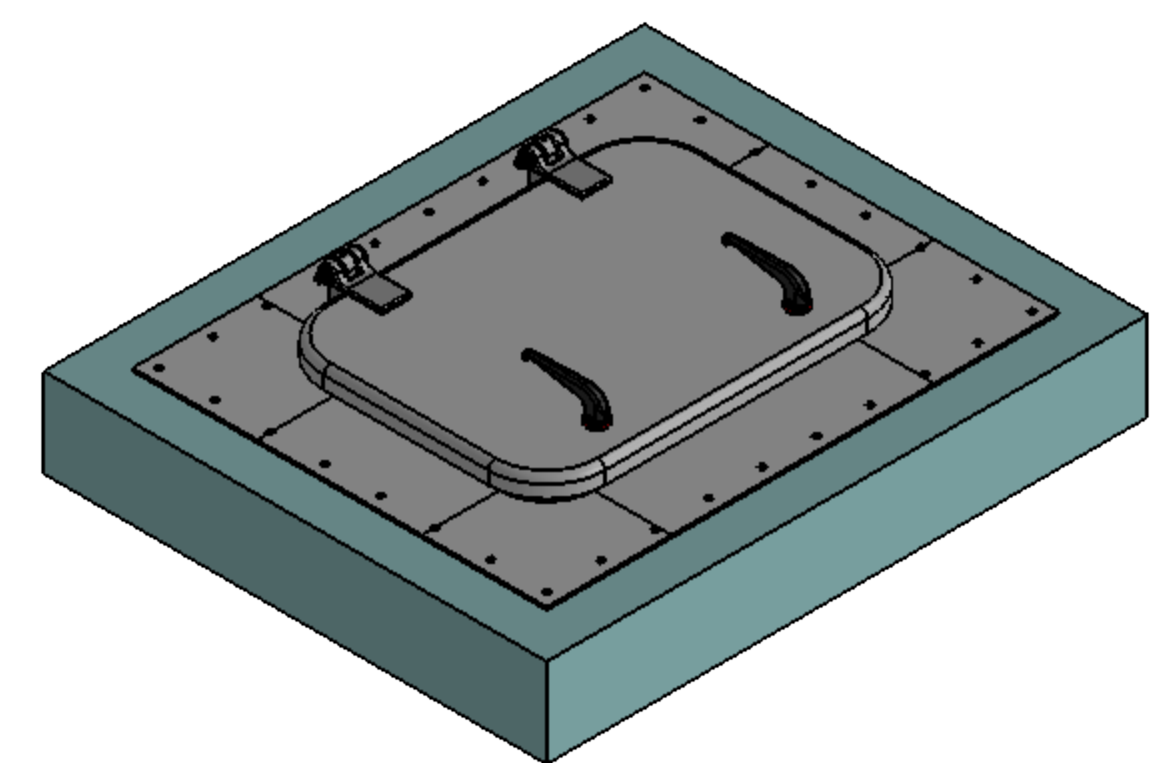
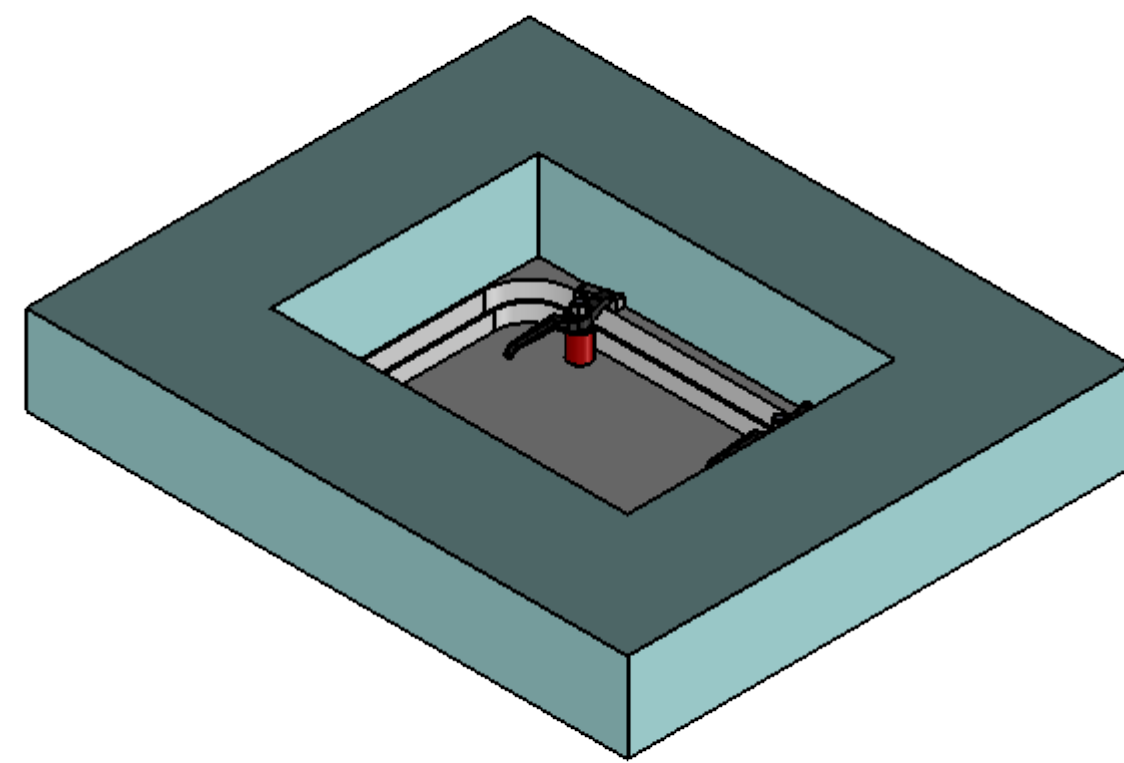
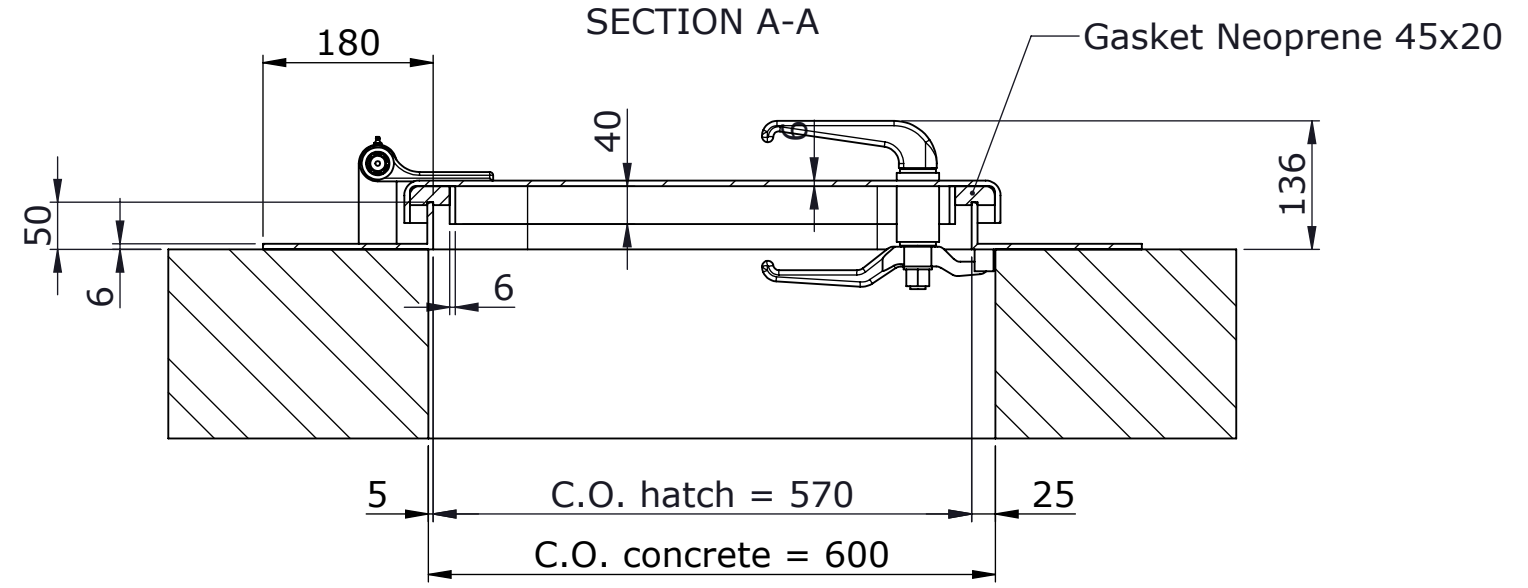
SECTION B-B



C.O. hatch R100



SECTION A-A



Client : de Lelie vastgoed
 Client ref. :
 Order : 3257

1x as executed, 1x as mirror image executed

Material hatch : AISI 316L
 Material frame : AISI 316L

2 DIN Toggles (stainless steel)
 2 hinges (stainless steel)

Seal : 40x20 EPDM

Frame/ coaming : Pickled and passivated

19-1020 UPDATE REMARKS CLIENT		VANDKRAFT		VANDKRAFT, Kamplaan 9, Tel: +31(0)50 5274003 E-mail: sales@thormarine.eu		9722SG Groningen, Holland Fax: +31(0)84 7203498 Web: www.thormarine.eu	
		DRAWING DESCRIPTION: ENTRANCE HATCH WITH 2 DIN CLIPS				DRAWING NUMBER: 3257-01	
DRAWN BY: Argos Engineering		DATE: 05-02-2020		SHEET No: 1		TOTAL SHEETS: 1	
PROJECT No:		AREA No:		DRAWING No:		REV. No:	
<small>© This drawing and the design and information it presents are the exclusive intellectual property of Argos Engineering and may not be copied, nor communicated to any third party without written consent.</small>							