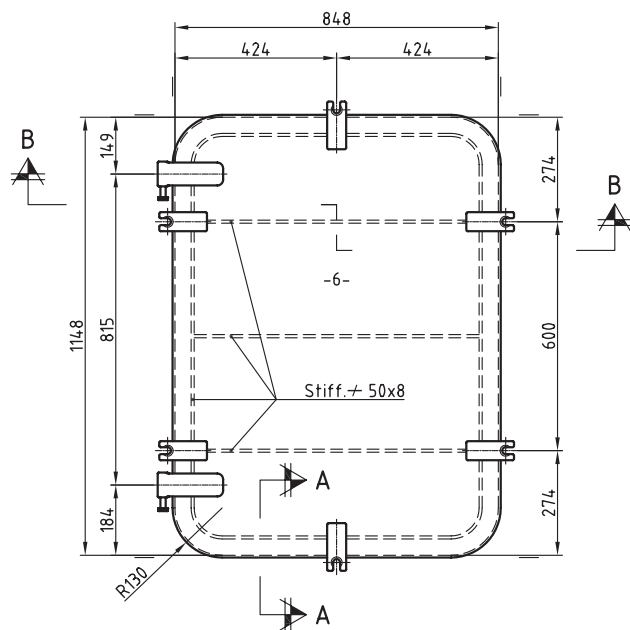


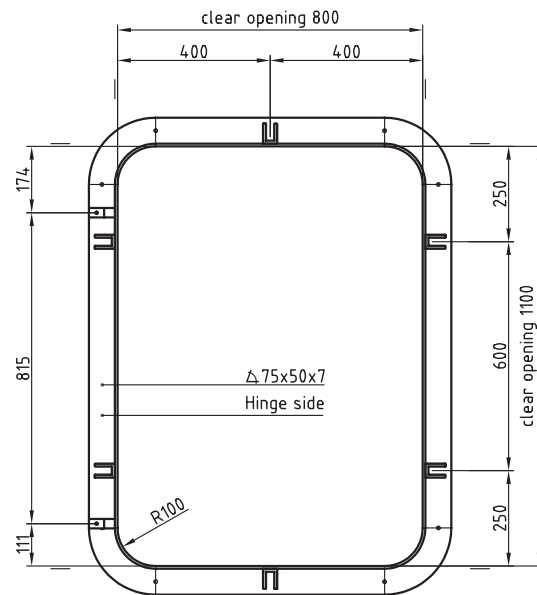
HATCH

TO BE EXECUTED 2x



FRAME

TO BE EXECUTED 2x



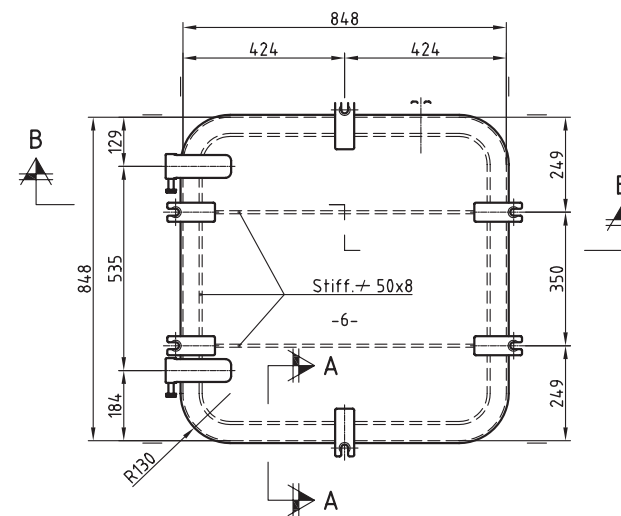
SECTION B-B



Note:
 - Materials plate/ angle bar/flat bar Stainless Steel 316/316L
 - Break at sharp edges
 - Anchors 10 pcs. (pitch 360mm)

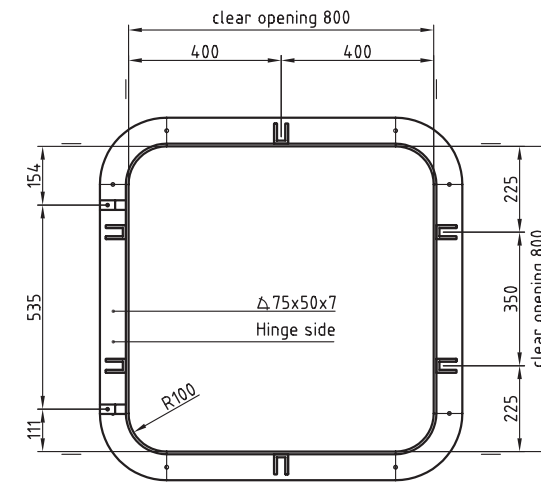
HATCH

TO BE EXECUTED 1x



FRAME

TO BE EXECUTED 1x

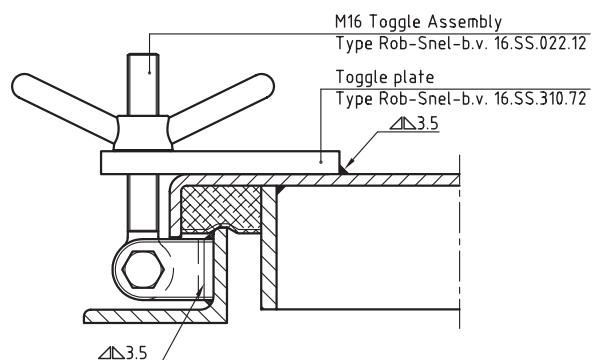


SECTION B-B

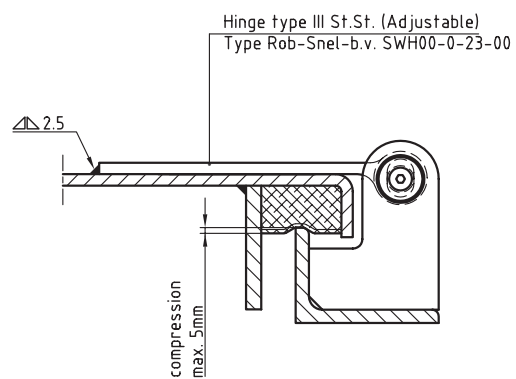


Note:
 - Materials plate/ angle bar/flat bar Stainless Steel 316/316L
 - Break at sharp edges
 - Anchors 8 pcs. (pitch 380mm)

TOGGLE M16

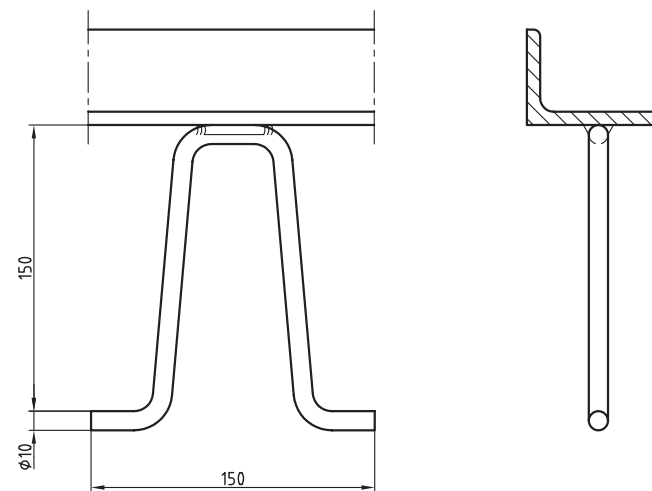


HINGE

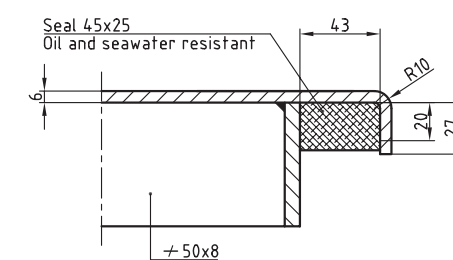


ANCHORING ROD

Pitch min. 350mm max. 400mm



SECTION A-A



rev.	date	name	checked	revision subject

approved: _____ date: _____

VANDKRAFT
 Vandkraft - Kamplaan 9, 9722SG Groningen, The Netherlands
 T +31 (0)50 230 60 46
 www.vandkraft.nl - sales@vandkraft.nl - KvK 02001844

STAINLESS STEEL HATCHES			
Drawn : BCS	Scale : 1:10 / 1:2	Drawingnumber:	Rev.:
Date : 09-10-2008	Checked : -	1253.1	-
ACAD Drawing not to be revised manually			



This drawing and design is protected by copyright and the information is confidential. It is also protected and registered under Dutch laws through the Dutch government department for Taxes. The drawing and/or models may not be copied, reproduced, duplicated or disclosed to others, in whole or in part without prior written consent of ThorMarine/the Netherlands.